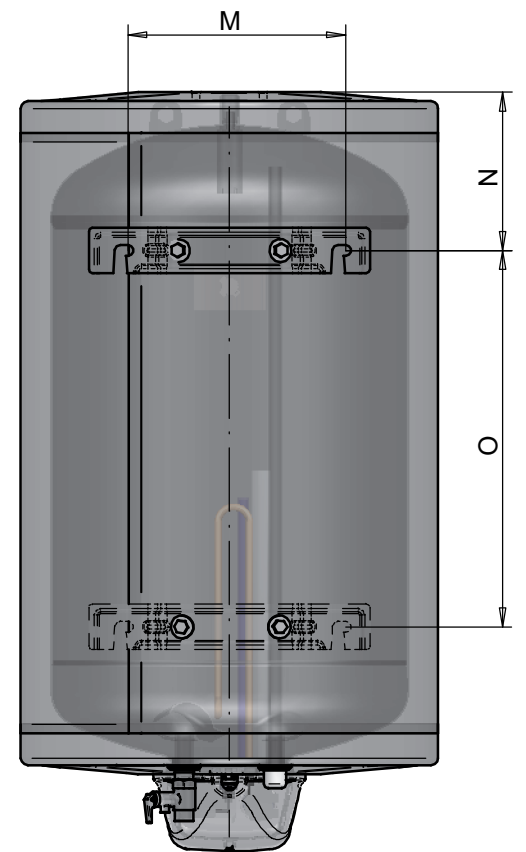
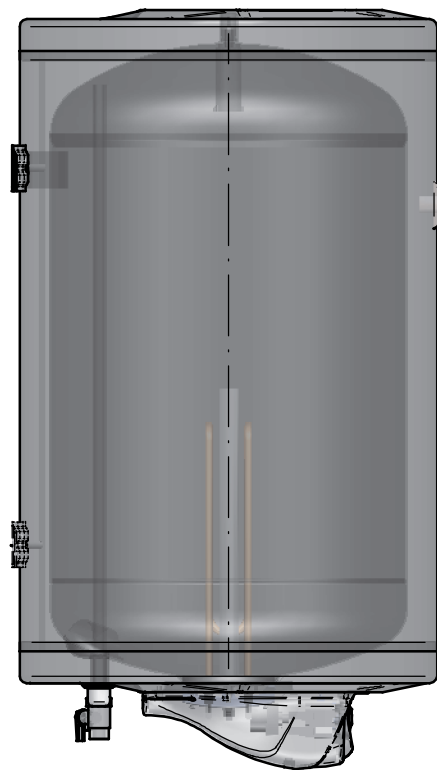
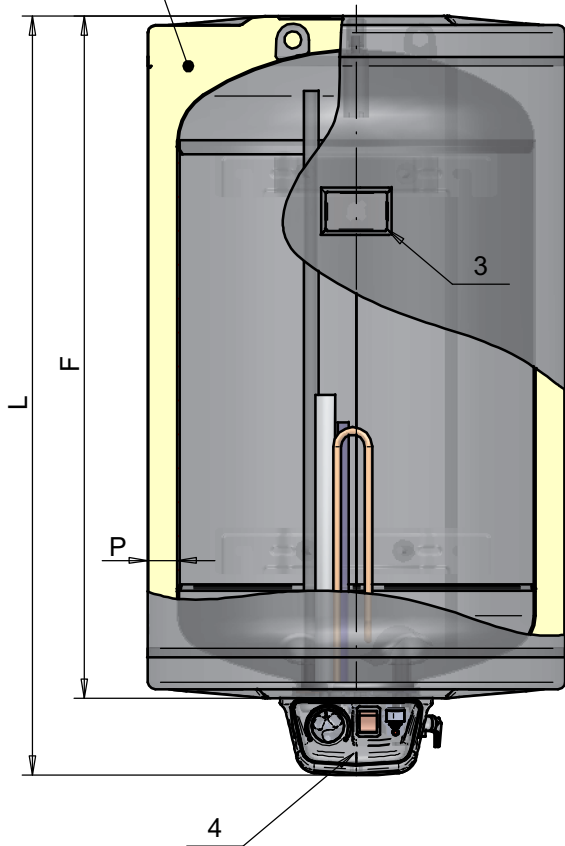


Insulation
polyurethane



Wall mounting water heaters	Enameled		72269	72267	72268	72265	72270	72266	72280M	72280	72281
	Stainless			72267H	72268H	72265H		72266H		72280H	72281H
CHARACTERISTICS											
Rated volume	L		30	50	80	80	100	120	150	150	200
Rated voltage	V		220-230~			220-230~			220-230~		
Rated electrical power	kW		1,5	2	3	3			3		
Rated pressure	bar		6			6			6		
Maximum D.H.W. tank temperature in	°C		75			75			75		
Weight when empty	Enameled	kg	15	20,5	27	27	31	34	44	48	60
	Stainless			17	22.5	22,5		30		42	53,5
CONNECTIONS											
1: Hot water outlet	"GAS/M					1/2					
2: Fresh water inlet (Drain) Safety valve	"GAS/M					1/2					
3: Temperature indicator	-					-					
4: Control panel	-					-					
DIMENSIONS											
Level D	mm		n 385			n 460			n 586		
Level F	mm		470	665	980	740	915	1080	1330	930	1170
Level I	mm		400			474			600		
Level J	mm		80			96			105		
Level K	mm		100			100			100		
Level L	mm		555	750	1065	825	1000	1165	1415	1015	1255
Level M	mm		240			240			240		
Level N	mm		144			175			190		
Level O	mm		-	-	-	-	-	-	1003	560	780
Level P	mm		32			32			43		